

Stephan Dahlmann

Mechanik und Antriebstechnik GmbH

HEXPRO

Low Clearance torque wrench



Stephan Dahlmann

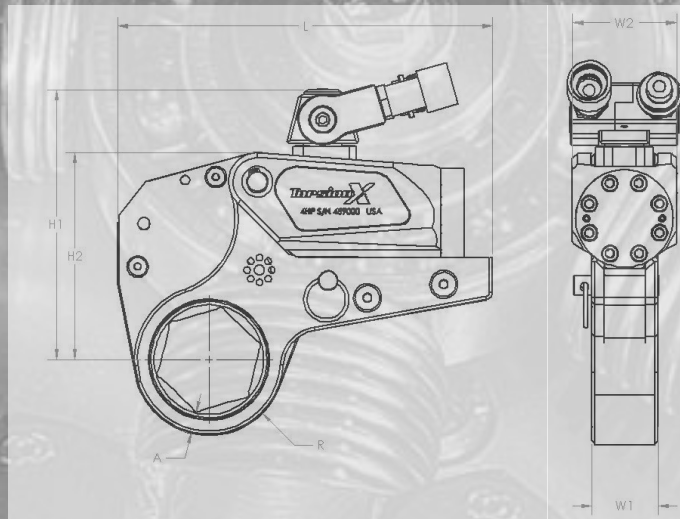
Mechanik und Antriebstechnik GmbH

The versatile HEXPRO Series Hydraulic Torque Wrench supports an extensive range of interchangeable hexagon ratchet links that deliver a torque range of 220 Nm to 39.130 Nm.

The HEXPRO delivers precision torqueduring bolt makeup and maximum torque during bolt breakout. Ratchet Links are interchangeable with other major brand tools.while minimizing weight. The MAXDRV Series is available from 86 Nm to 44.095 Nm.

HEXPRO FEATURES:

- Compact Design
- 1 Year Warranty
- Multi-Directional Swivel Assembly
- Anti- Jam Torque Release Lever
- Best in Industry Strength-to-Weight Ratio



Dimensions metric

Model	2HP/2HP-B	4HP/4HP-B	8HP	14 HP	30 HP
Torque (Nm)	220 - 2.324	595 - 6.101	1.033 - 10.982	1.689 - 18.229	3.858 - 39.130
Hex Size (Metric)	19 mm - 60 mm	36 mm - 80 mm	41 mm - 100 mm	50 mm - 115 mm	80 mm - 175 mm
Power Head	1.36 kg	2.27 kg	3.63 kg	5.90 kg	12.27 kg
Ratched Link	1.81 kg	4.09 kg	7.27 kg	11.82 kg	31.82 kg
L	185.9mm/ 195.9mm	246.9mm/261.8mm	301.5 mm	361.7 mm	433.1 mm
H1	133.6mm/ 128.2 mm	186.9mm/163.0mm	214.1 mm	239.0 mm	315.0 mm
H2	104.7mm/ 104.7mm	145.0mm/145.0mm/	176.5 mm	203.2 mm	285.0 mm
W1	31.8mm / 31.8 mm	41.9mm/41.9mm	52.8 mm	64.0 mm	85.1 mm
W2	50.8mm/ 50.8mm	66.0mm/66.0mm	83.1 mm	98.6 mm	131.1 mm
A	9.9mm/ 9.9mm	14.7mm/14.7mm	16.5 mm	18.8 mm	25.7 mm
R	26.8mm - 44.9mm	35.5mm - 60.8mm	46.3 mm - 74.8 mm	59.4 mm - 86.8 mm	77.1 mm - 115.8 mm

Dimensions imperial

Model	2HP/2HP-B	4HP/4HP-B	8HP	14 HP	30 HP
Torque (ft-lbs.)	162 - 1,714	439 - 4,500	762 - 8,100	1,245 - 13,443	2,846 - 28,861
Hex Size (Imperial)	3/4" - 2.3/8"	1.5/16" - 3.1/8"	1.1/2" - 3.15/16"	2" - 4.5/8"	3.1/8" - 6.7/8"
Power Head	3 lbs	5 lbs	8 lbs	13 lbs	27 lbs
Ratched Link	4 lbs	9 lbs	16 lbs	26 lbs	70 lbs
L	7.32"/7.70"	9.72"/10.31"	11.87"	14.24"	17.05"
H1	5.26"/5.05"	7.36"/6.42"	8.43"	9.41"	12.40"
H2	4.12"/4.12"	5.71"/5.71"	6.95"	8.00"	11.22"
W1	1.25"/1.25"	1.65"/1.65"	2.08"	2.52"	3.35"
W2	2.00"/2.00"	2.60"/2.60"	3.27"	3.88"	5.16"
A	.390"/.390"	.580"/.580"	.650"	.740"	1.010"
R	1.054" - 1.766"	1.397" - 2.393"	1.882" - 2.944"	2.340" - 3.416"	3.037" - 4.559"